

Crystal Tourniket



The transparent revolving door

The Crystal Tourniket uses a combination of laminated and toughened glass to reduce the traditionally framed elements of the door to a bare minimum. The result is a virtually transparent revolving door that is perfect for use with contemporary glass facades while still blending in beautifully with more classical architectural styles.

Stylish and functional

The Crystal Tourniket is available with 3 or 4 door wings in a wide range of sizes. With the choice of manual or automatic operation, clear or coloured glass and optional night locking doors, the Crystal Tourniket is a truly versatile entrance that is both stylish and functional.

Versatile entrance solution

The variety of configurations makes the Crystal Tourniket the perfect choice for medium traffic flow applications such as hotels, offices and many other types of buildings.

Climate control

Despite the transparent appearance of the Crystal Tourniket, it offers all the same energy efficiency benefits as any other Boon Edam revolving door.

Cost savings

- A Crystal Tourniket allows you to create a comfortable environment, even close to the entrance, without the need for a separate draught lobby, enabling maximum use of floor space.
- Reducing energy loss is good for the environment and can provide significant savings on heating and cooling costs.
- By saving energy, you will save money and often a Crystal Tourniket will pay for itself many times over during its life span.

Safety features

At Boon Edam we put safety first. Our products are designed to comply with or exceed all relevant safety standards and regulations.

User Safety

The Crystal Tourniket is equipped with an extensive array of standard and optional safety features to ensure safe and practical operation in all circumstances:

- Compressible vertical safety buffers on the ends of the curved walls
- Low torque drive unit with speed control
- Emergency stop buttons
- Compressible horizontal safety buffers on the leading door wing bottom edge (option)

'Maximum transparency'



Flexible design

The Crystal Tourniket utilises as much glass as possible to maximise transparency and is available in a range of sizes up to 3000mm diameter and 3000mm high.

Finishing

Stainless steel cappings and clamps are used as standard for maximum strength and an attractive, versatile finish.

Construction

The curved walls that form the drum of the Crystal Tourniket are totally frameless, constructed of 17mm laminated glass with only small cappings where required for safety. The door set, which is available in 3 and 4 wing versions, is constructed from 12mm toughened glass with only the smallest possible profiles to retain the draught strip. The two-piece glass soffit is fixed directly to the curved walls with specially designed clamps.

Options

- Night locking doors to close the throat opening
- Special manual locks for night locking doors and door wings
- Remotely controlled electro mechanical locking
- Secured night entrance, access with authorisation (e.g. card reader system, night porter) and exit without authorisation
- Push-button for the disabled (temporary low speed)
- Stainless steel soffit
- Collapsible door set with integrated electro-mechanical locking system
- Coloured interlayer to glass soffit, curved walls and night locking doors
- Floor mat
- Air curtain
- Speed control for manual doors



The 3-wing Crystal Tourniket

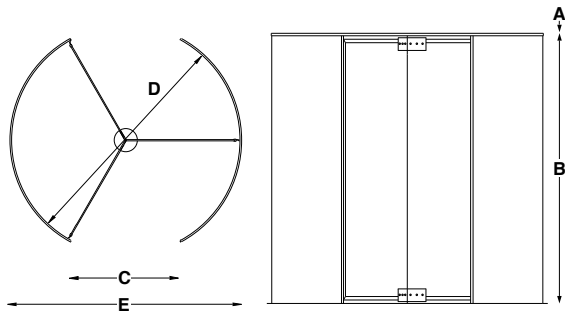
The Crystal Tourniket is available in a wide range of sizes with 3-wing doors offering larger segments, while 4-wing models provide wider throat openings and slightly smaller segments.

<i>D</i> Diameter (mm)	<i>C</i> Throat opening (mm)	<i>E</i> Installation width (mm)	Max persons / segment	Capacity/ minute ¹	Type of traffic	Escape route ²	Disabled access
3-wing Crystal Tourniket							
1600	700	1650	1	2 x 22		-	-
1800	800	1850	1	2 x 22		-	-
2000	900	2050	1	2 x 22		-	-
2200	1000	2250	1	2 x 20			-
2400	1100	2450	1	2 x 18			-
2600	1200	2650	2	2 x 33			-
2800	1300	2850	2	2 x 31			-
3000	1400	3050	2	2 x 29			-

¹ Maximum capacity per minute indicates how many people can pass through the Crystal Tourniket in both directions under normal conditions.

² Only with collapsible door set (Subject to local regulations).

	<i>A</i> Glass soffit (mm)	<i>B</i> Height under canopy (mm)
All Diameters	18	2100-3000



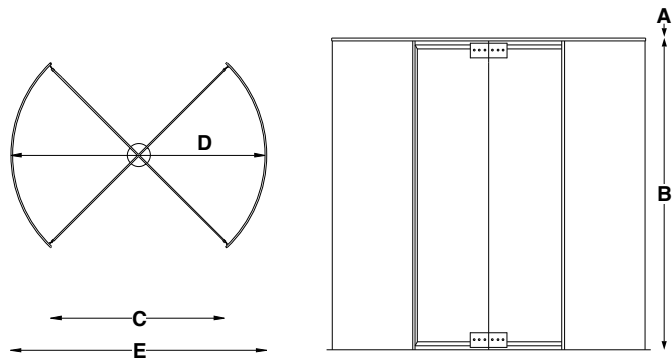
The 4-wing Crystal Tourniket

D Diameter (mm)	C Throat opening (mm)	E Installation width (mm)	Max persons / segment	Capacity/ minute¹	Type of traffic	Escape route²	Disabled access
4-wing Crystal Tourniket							
1600	1055	1650	1	2 x 26		-	-
1800	1195	1850	1	2 x 26		-	-
2000	1335	2050	1	2 x 26		-	-
2200	1475	2250	1	2 x 26			-
2400	1615	2450	1	2 x 24			-
2600	1755	2650	1	2 x 22			-
2800	1895	2850	1	2 x 20			-
3000	2035	3050	2	2 x 38			-

¹ Maximum capacity per minute indicates how many people can pass through the Crystal Tourniket in both directions under normal conditions.

² Only with collapsible door set (Subject to local regulations).

	A Glass soffit (mm)	B Height under canopy (mm)
All Diameters	18	2100-3000



Technical specifications

Power supply	200-240 VAC, 50/60 Hz
Motor	AC motor, 3-phase
Power consumption	
Drive unit	250W
Ambient temperature	-20°C to +50°C
Fuse	External power supply fused with 16 A Slow

High quality

At Boon Edam, we take quality seriously. Quality of the materials we use, quality of our employees as well as our partners. As with all Boon-Edam products, the Crystal Tourniket is manufactured to the highest standards, is CE approved and complies with the Machine Directive (98/37/EEC), the EMC-Directive (89/336/EEC) and the Low Voltage Directive (93/68/EEC).

TG-0108-HK

Boon Edam Hong Kong Limited

Unit 803, 8/F, Tamson Plaza, No. 161
Wai Yip Street, Kwun Tong, Kowloon
Hong Kong

T +852 (0)2793 1810

E info@boonedam.hk

F +852 (0)2793 0862

I www.boonedam.hk