



The SP400 anti-terror/high security bollards are available as Automatic, Fixed, Shallow Mount, and Manually Retractable.

The ATG Access SP400 is part of the ultimate security bollard family. This product is tested to PAS68 standard, arresting a 7.5 tonne vehicle travelling at 40mph.

The SP400 automatic is a hydraulically operated fully automatic bollard, offering outstanding protection whilst allowing vehicle and pedestrian access when needed. The fixed option, with a civil installation depth of 750mm, compliments the range by offering robust perimeter protection.

The SP400 is also available as a shallow mount fixed bollard with a civil installation depth of only 170mm. Shallow Mount is the perfect solution for areas where underground services limit the foundation depth available.

The SP400 range of bollards offers an answer to almost any access security requirement. The range offers excellent pedestrian and vehicular permeability, whilst maintaining great aesthetics and PAS68 tested protection.

The new Manually Retractable option; the SP400 'Independent' allows this high security bollard to be used in remote locations where power may not be available. This stand alone rising bollard is operated through the simple use of a power drill or a hand crank. No electricity or hydraulics is required and the bollard can be operated with ease by a single person.



Characteristics

Product	Diameter	Height	Wall thickness	Finish	Foundation Depth
SP 400 Auto	209mm	1000mm	Confidential	Sherardised black, or stainless steel sleeve.	1530mm

Technical specifications

Testing Criteria:	BSI PAS 68
Vehicle weight:	7.500kg
Vehicle speed:	64km/h(40mph) / 48km/h(30mph)
Full PAS 68 Designation	7500(N2)64/90:2.3/2.7
For Automatic bollard:	7500(N2)48/90:0/0

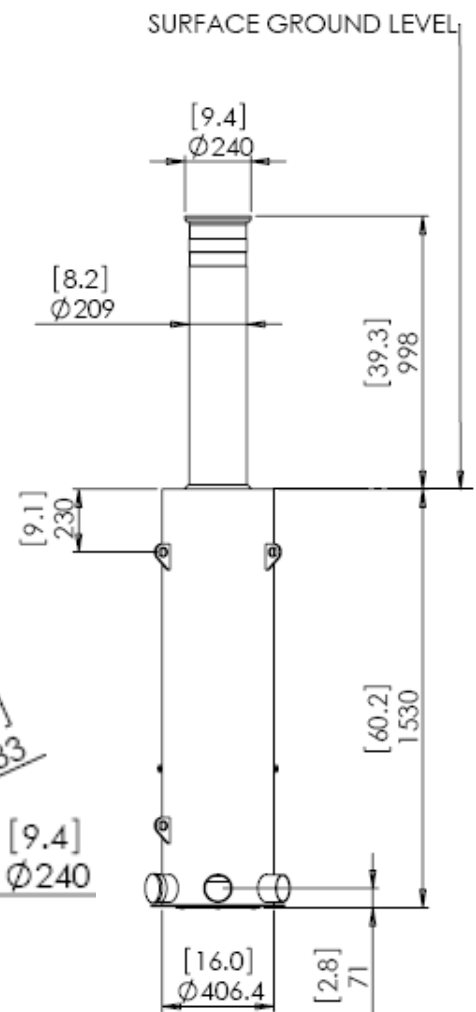
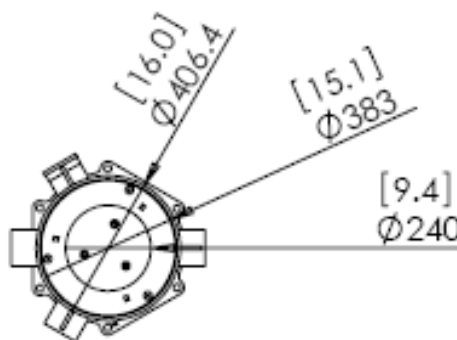
209mm Diameter on Sherardised finish.

219mm Diameter on stainless steel finish (sleeve).

203mm Diameter on fixed & shallow mount bollard.

Options and Extras

- Stainless steel sleeve
- Intelligent control system available
- Auto-rise
- Traffic lights
- Access Control



We can produce a written evaluation, in the form of a quotation, and provide drawings or photographs based on your requirements.

All details correct at time of going to press, ATG Access reserves the right to modify specifications, design, operating conditions or any other details without notice

ATG Access Inc

402 Mckinney Parkway
Lillington
NC 27546
USA

Tel: + 1 910 814 5200

Fax: + 1 910 814 5299

ATG Access Ltd

CoBaCo House
North Florida Road
Haydock Industrial Estate
Haydock
Merseyside

WA11 9TP

UK

Tel: 08456 75 75 74

Fax: 08456 75 99 55